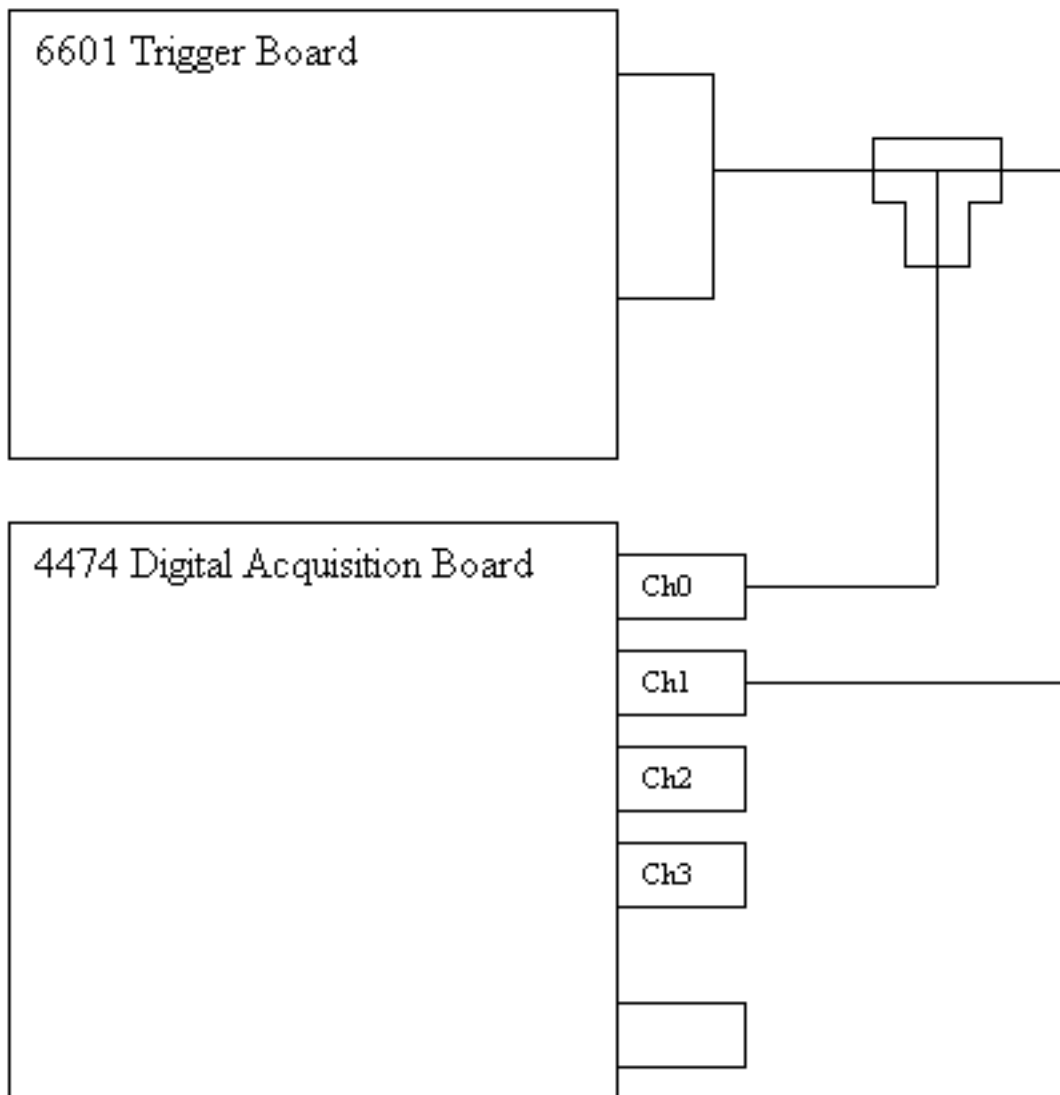


Checking trigger stability with the NI 4474 and NI 6601 boards

It is possible to check the trigger stability using the 6601 and 4474 boards. In this test the trigger signal is sent not only to the trigger channel (Ch0) on the 4474 board but also to the signal channel (Ch1)

Connect the boards as shown:



Start SB Logger and while it boots hold down the CTRL+ Shift keys, (reset to default settings).

Hit the red record button and then Configuration>Triton Analog

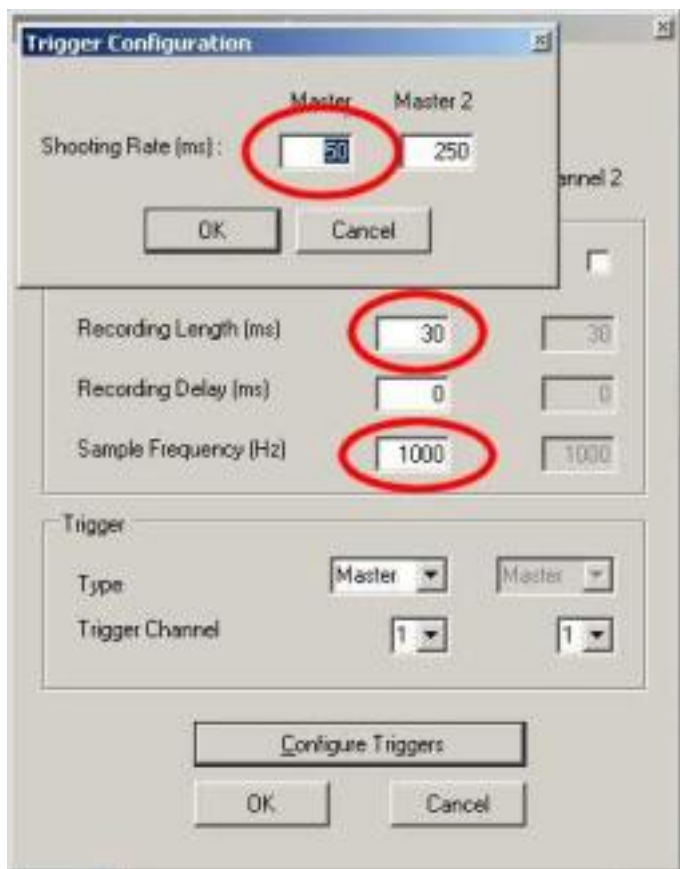
Configure the record length, shooting rate and sampling frequency to be:

Record length 30mS

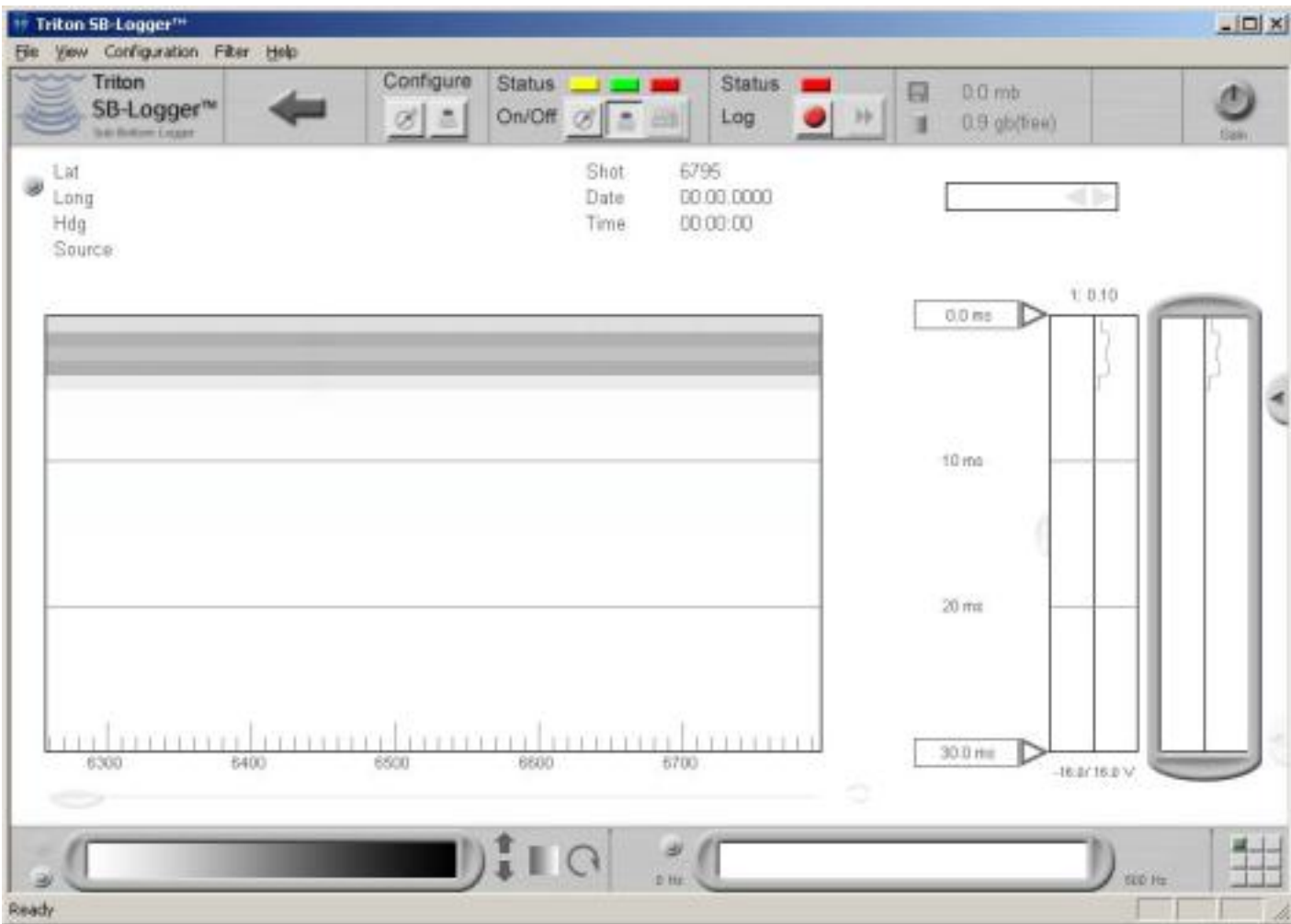
Shooting rate 50mS

Sampling frequency 1,000 Hz

DO NOT FORGET TO RETURN THESE VALUES TO THEIR CORRECT SETTINGS AFTER THE TEST,



Hit the Sonar **On** button, you should get a display that looks like this:



The grey band should be smooth – not jagged. You can use the signal window slider to zoom in and check:



This check will ensure that the signal and trigger are stable, note that because of the very low sampling frequency we can also see that the signal is synched to a single cycle of the sampling clock.

DO NOT FORGET TO RETURN THESE VALUES TO THEIR CORRECT SETTINGS AFTER THE TEST,

(Recording hi resolution data at a sampling frequency of 1,000Hz is not a good idea.)